

## 立式砂辊碾米机 VERTICAL EMERY ROLL WHITENER



### 用途简介

MNML50A 立式砂辊碾米机是永祥根据国内外稻米加工需要，结合本公司长期研发碾米机的成熟经验，采用现代机械制造工艺和国际化元件配置，精心设计、制造的先进碾米机，该机主要用于糙米开糙和碾白，用户可根据原粮情况采用不同的米机组合方式，达到不用提升设备完成多机接力碾米，是现代大型碾米企业集约化生产配套的主力设备。

### 产品特点

- 采用蛟龙强制进料方式，活动式米刀及片状螺旋砂辊，下进料，上出料，进料流量连续稳定，大风量、高风速负压碾米，产量大，米温低，排糠好，增碎少；
- 关键零部件采用国际名牌元器件配置，经久耐用，性能稳定可靠；
- 电流和负压显示，操作简单方便；
- 易损件采用耐磨材料和先进工艺制作，使用寿命长；
- 本机可选配智能化控制系统，运用变频和 PLC 技术实现进料、设定电流和压力门调节智能控制；

### USE INTRODUCTION

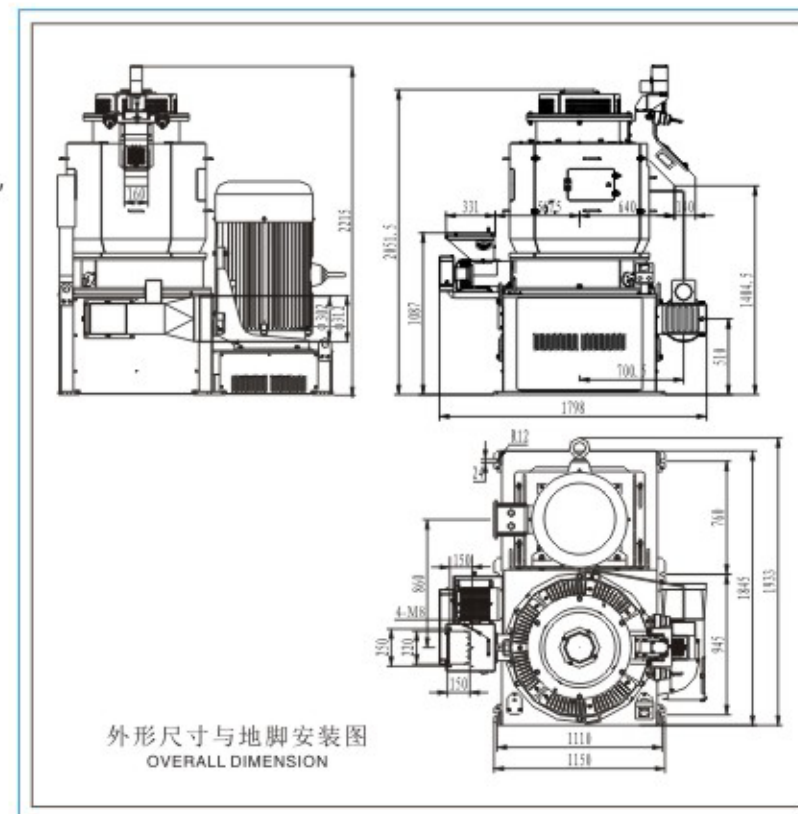
The MNML50A vertical emery roll whitener designed and produced by Hubei Yongxiang Co.,Ltd is mainly used for peeling and whitening brown rice. You can combine different types of rice whiteners together according to different kinds of rice. In that way you can accomplish multiple machines whitening line without upgrading machines. It is one of the most important machines in major rice milling line.

### FEATURES

- The machine uses screw conveyor to attain mechanical forced feeding. With adjustable blades and screw emery roll, it feeds from bottom and discharges from upper. Material flow is continuous and steady. Big air inlet, strong negative pressure whitening, big capacity, low rice temperature, strong bran discharge and less broken rice increment.
- Key spare parts come from famous international brands, which are more durable, steady and safe.
- The display showing current and negative pressure makes operation easier and more convenience.
- The consumption parts are made of wear-resistant material, make service life much longer.
- There is an optional configuration: intelligent control system. With frequency conversion and PLC technology, it can feed materials, set up current and adjust pressure gate by intelligent system.

### 主要技术参数 MAIN TECHNICAL DATA

型号 Type	MNML50A		
处理量 Output(t/h)	10-16	吸风量 Air volume(m <sup>3</sup> /min)	50
转速 Rotary speed(rpm)	370-540	负压 Negative pressure(mmH <sub>2</sub> O)	100-150
主电机 Main Power(KW)	55-75	机重 Weight(kg) 含 75KW 电机	≈ 2500
进料蛟龙电机 Auger Power(KW)	3	外形尺寸 Dimension(mm)	1933X1798X2215



湖北永祥粮食机械股份有限公司

HUBEI YONGXIANG FOOD PROCESSING MACHINE CO.,LTD.

产品技术参数如有变更恕不另行通知 If technologic data has been changed without further information

通过ISO9001国际标准质量体系认证 ISO 9001-2008 Certified

E-mail:yongxiangmiji@sohu.com http://www.hbyxlj.com

地址：湖北省安陆市府河大道2号

ADD: 2 FUHE AVE., ANLU CITY, HUBEI, CHINA

电话(TEL): 0712-5254443 5254445 5258762 传真(FAX): 0712-5254443 邮编(POSTCODE): 432600



永祥官网



微信公众号