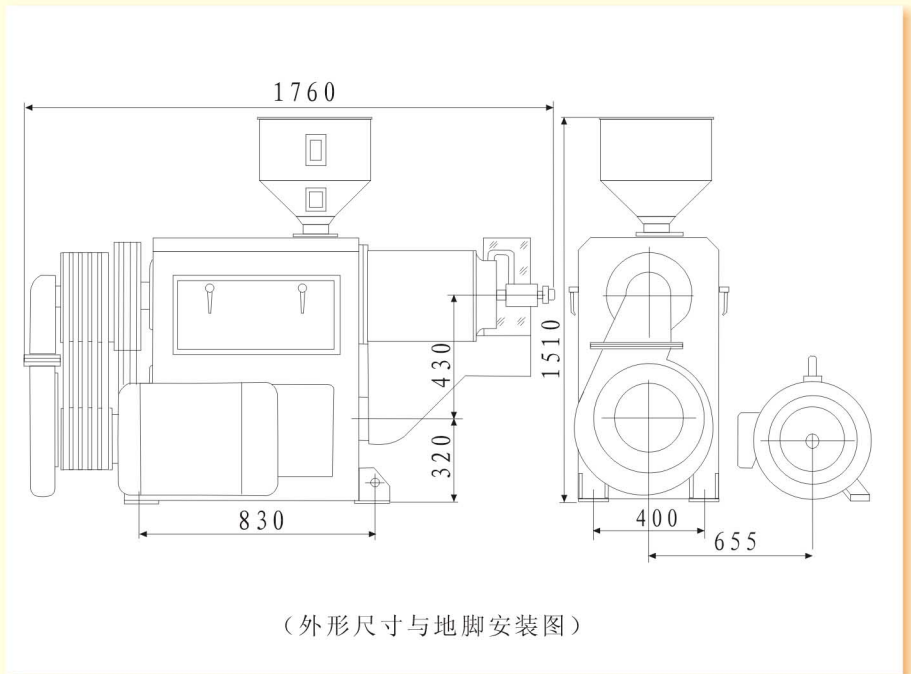


## MNMS14喷风碾米机

主要适用于糙米的碾白。在生产中可多机串联使用，也可采用一机出白。在不同地区，针对不同品种的稻谷，只须作适当的调整，均能获得良好的加工效果，是目前国内大、中、小型碾米加工厂的理想配套设备。

### 特点

- 由于采用轴向出料，因而碾米室压力稳定，物料不易堵塞，独特的进风排糠结构使排糠更畅。
- 可砂辊、铁辊互换使用，而且配有改变米室径向间隙的两种筛框及米刀；在不同地区，针对不同的稻谷品种，采用合理的配置方式，均能获得理想的加工工艺效果。
- 独特的轴承装配结构，使装拆更容易；独特的进风排糠结构，取消旋转筛方式使机械性能更稳定。



MNMS14 jet-air whitener is mainly used for milling and whitening. In production, it can be either used for whitening through multiple passage or for whitening through single passage. At different areas, one can get well processing effect only need to adjust properly depending on different paddy varieties. It is an ideal equipment for large, medium-size and small rice milling plant at home.

### Feature

- With axial discharge, the pressure of whitening chamber is more stable, and feedstock isn't clogged. Furthermore, unique air inlet bran discharge structure makes bran unblocked.
- Emery roll can be exchanged with iron roll, also providing with two kinds of screen frames and buller blade which can make radial clearance of whitening chamber changed. At different areas, one can get better processing effect only adopting corresponding equipping depending on different paddy varieties.
- It is much easier to disassemble by use of special bearing mounting construction, and more stable in mechanical property after rotary sieve is disused.

### 主要技术参数

型号Type	MNMS14
产量Output (t/h)	1.2~2.8
功率Power (kW)	18.5~22
主轴转速Rotary speed (rpm)	800~1100
机重Weight (kg)	450
外形尺寸Dimensions (mm)	1760×750×1510

### 通过ISO9001国际标准质量体系认证

E-mail: yongxiangmiji@sohu.com    http://www.hbyxlj.com

地址：湖北省安陆市府河大道8号

ADD: 8 FUHE AVE. ANLU CITY, HUBEI, CHINA

电话(TEL): 0712-5254443 5254445 5258762    传真(FAX): 0712-5254443    邮编(POSTCODE): 432600