

MNMS18×2、25×2 砂辊米机

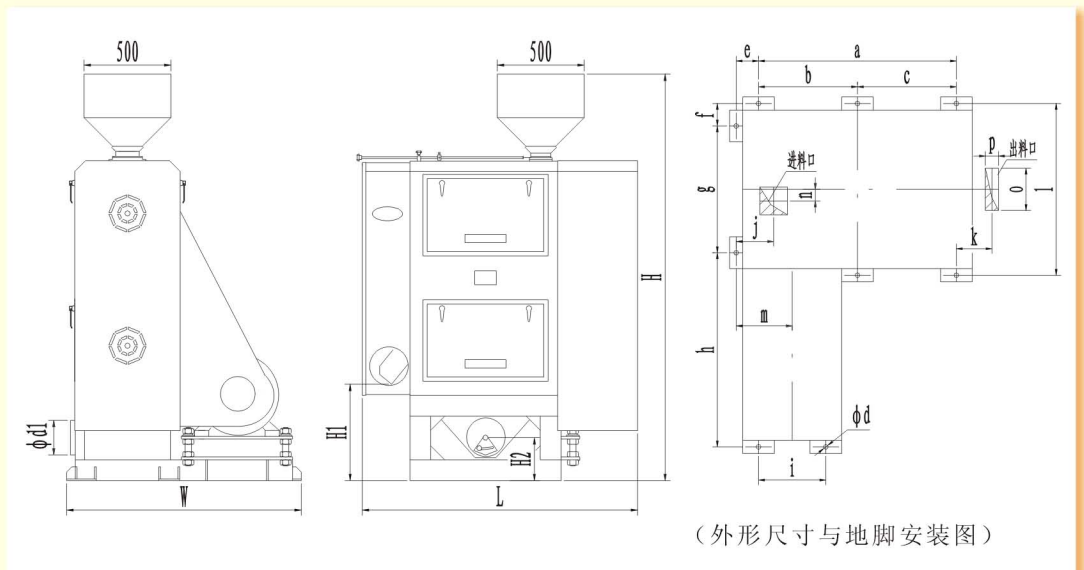
主要用于大、中型碾米加工厂的开糙和碾白，采用目前国际上先进的负压碾米技术，使碾白过程的米温降低、含糠少、增碎更小。

特点

- 由于使用了中间送米绞笼，使两个出米口都集中在没有传动带的一端，排布方便，操作安全可靠。
- 双辊米机为上下布置，相当于两台米机串联使用，一台米机的空间，两台米机的作用，还能节省输送设备。
- 特殊的轴承装配结构，使装拆更容易，机械性能更稳定。

主要技术参数

参数 型号	MNMS 18×2	MNMS 25×2
项目		
L	1480	1586
W	1365	1350
H	2100	2335
H1	520	558
H2	237	247
a	750	750
b	375	
c	375	
φ d	9-φ 18	7-φ 18
φ d1	φ 200	φ 200
e	90	85
f	90	85
g	490	480
h	640	735
i	260	275
j	134	142
k	125	137
l	580	650
m	220	222.5
n	50	55
o	125	160
p	30	54



MNMS18×2, 25×2 emery roll whitener is mainly used for milling and whitening in large and medium-sized rice milling plant. It adopts suction rice milling, which is advanced techniques of world at present, to make rice temperature down, bran content less and broken increment lower.

Feature

- Due to intermediate feeding worm conveyor, two rice outlets are designed on the side without driving belt. Thus arrangement is convenient and operation is safe and reliable.
- With the construction of double-roll, the machine corresponds to double rice whiteners in series. It brings into play of two machines only taking up space of one, furthermore, saving conveying equipment.
- It is much easier to disassemble by use of special bearing mounting construction, and more stable in mechanical property.

型号Type	MNMS18×2	MNMS25×2
产量Output (t/h)	2~3	2.5~3.5
功率Power (kW)	37~45	45~55
主轴转速Rotary speed (rpm)	900~1300	1950~1050
机重Weight (kg)	1500	1750
外形尺寸Dimensions (mm)	1480×1365×2100	1585×1350×2335

通过ISO9001国际标准质量体系认证

E-mail: yongxiangmiji@sohu.com <http://www.hbyxlj.com>

地址: 湖北省安陆市府河大道8号

ADD: 8 FUHE AVE. ANLU CITY, HUBEI, CHINA

电话(TEL): 0712-5254443 5254445 5258762 传真(FAX): 0712-5254443 邮编(POSTCODE): 432600